



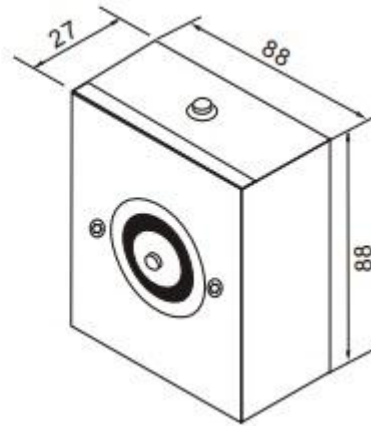
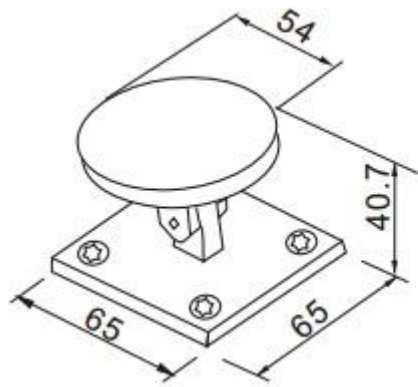
Overview

EL-DH-603 is a mortise mount door holder. Feature of low power consumption makes it more environments friendly and more durable. Build-out release button for testing and build-in MOV reverse current protection.

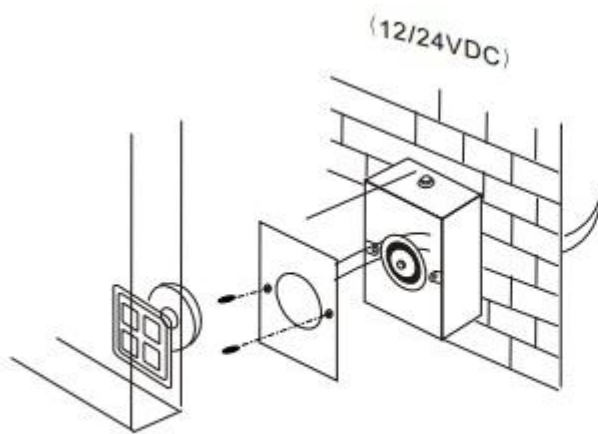
Specification

Product Parameter	Parameter Description
Dimensions	L88 x W88 x H27 (mm)
Holding Force	50kg (110Lbs)
Voltage	DC24V + 1-%
Current Draw	12V/180mA 24V/70mA
Suitable for	All kind of Single & Double Smokeproof Doors
Surface Temp	≤+20°C
Operating Temp	-10~+55°C(14-131F)
Suitable Humidity	0~90%(relative humidity)
Finishes for Shell	High Temperature Paint and Environmental Protection Zinc
Finishes for Armature	Zinc
Weight	1.0kg

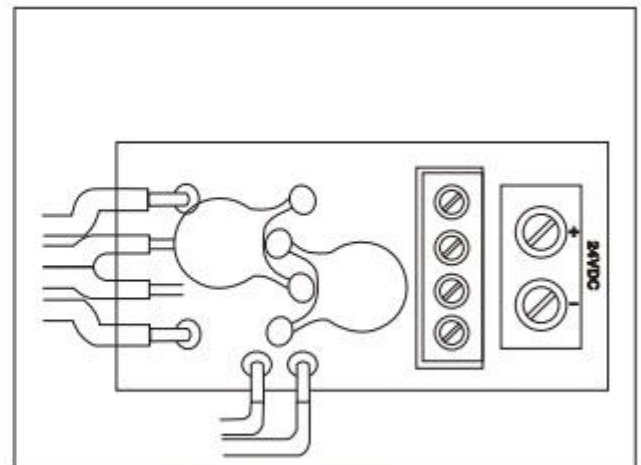
Dimensions



Installation



Installation



Wiring Instructions