

FX-C201 Weatherproof Outdoor Station



- High resolution wide angle camera, perfect choice to cover larger area.
- Elegant metal aluminium panel with compact design.
- Electric lock release support.
- More functional design with more clear sound.
- HD Night vision: Outdoor camera with clear IR night vision for low-illumination environment.
- The whole system can connect up to 2 outdoor stations + 6 indoor monitors + 2 cameras.

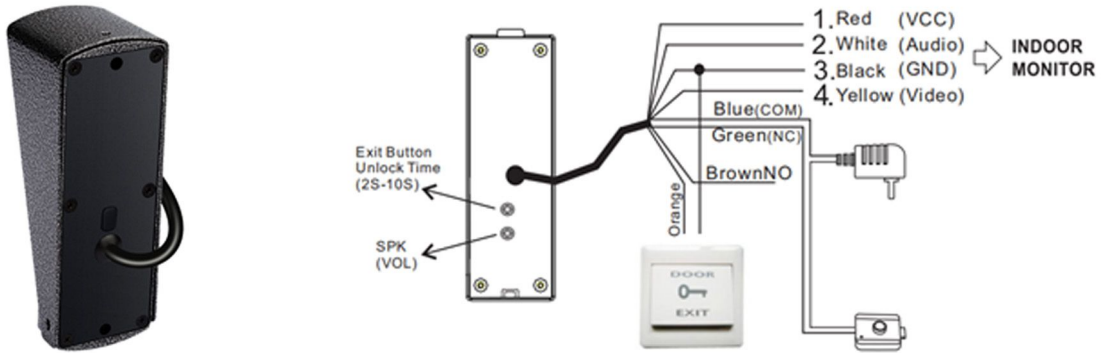
Technical Specifications:

Model	FX-C201
Camera	HD Camera 1/3" CMOS, 1000TVL.
Body material	Metal aluminum alloy.
View angle	100°.
Protection grade	IP65 Waterproof.
Calling method	Single call button.
Installation type	Surface mounted.
Accessory	Included rain cover.
Workable locks	Electric lock and magnetic lock (NO/NC/COM).

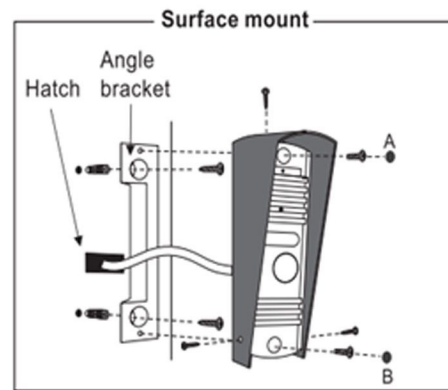
Dimensions:



Connection Diagram:



Product and Mounting Details:



Wiring Diagram:

