

FX-C214

Weatherproof Outdoor Station



Key Features:

- High resolution wide angle camera, perfect choice to cover larger area.
- Elegant and compact design metal aluminium panel.
- Electric lock release support.
- Multi-mode unlocking: Card access and password unlock.
- HD Night vision: Outdoor camera with clear IR night vision for low-illumination environment.
- The whole system can connect up to 2 outdoor stations + 6 indoor monitors + 2 cameras.

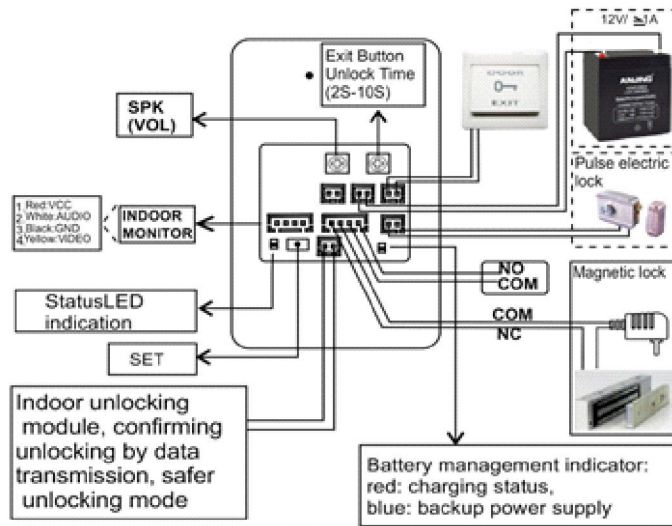
Technical Specifications:

Model	FX-C214
Camera	HD Camera 1/3" CMOS, 1000TVL.
Body material	Metal aluminum alloy.
View angle	140°.
Protection grade	IP65 Waterproof.
Calling method	Single call button.
Unlock method	Password unlock and RFID card unlock.
Installation type	Surface mounted.
Accessory	Included rain cover.
Workable locks	Electric lock and magnetic lock (NO/NC/COM).

Dimensions:



Connection Diagram:



Unlock Method:



Password Unlock



RFID Unlock

Wiring Diagram:

