



Description :

EL-SR10D weatherproof proximity 125KHz ID card reader with Wiegand format.

Features :

- IP65 Weatherproof and slim design
- Easy and trouble free installation
- Wiegand Interface
- LEDs and electronic buzzer indication
- EM proximity card compatible
- Exceptional level of detection capability, high reliability, consistent read-range and stability

Specification :

- **Reading Range** : ≤ 50mm
- **Input Voltage** : 9 ~ 16VDC, 12VDC (Recommended)
- **Current Consumption** : ≤ 80mA
- **Data Format** : Wiegand 26/34bit
- **Carrier Frequency** : 125KHz
- **Card Type** : ID Card, 15693 Card, 14443A & 14443B
- **LED Indicator** : Blue and Green
- **Cable Distance** : ≤100m
- **Dimension** : 100mm x 46mm x 20mm
- **Operating Temperature** : -20°C ~ 70°C
- **IP Rating** : IP65

Data Connection :

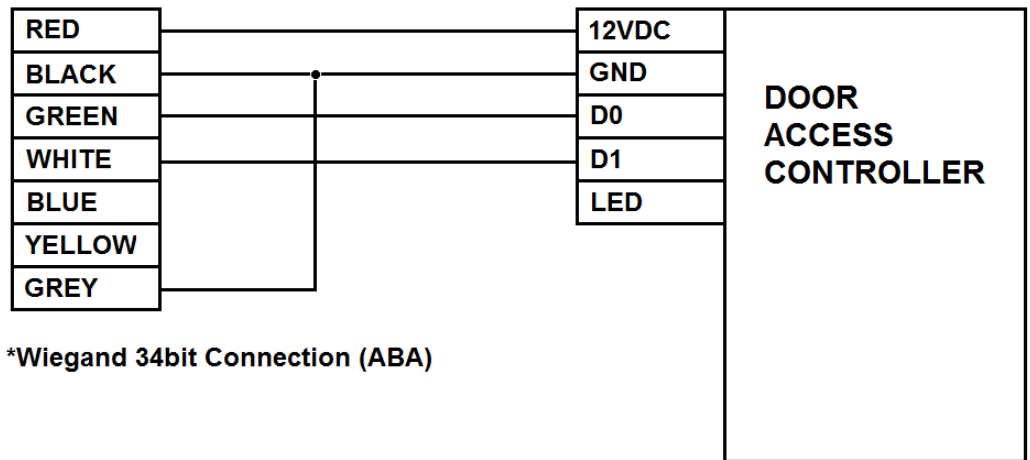


WG26		RS485		RS323	
Red	DC9V ~ 16V	Red	DC9V ~ 16V	Red	DC9V ~ 16V
Black	GND	Black	GND	Black	GND
Green	D0	Green	4R+		
White	D1	White	4R-	White	TX
Blue	LED				
Yellow	BEEP				
Orange	Ring				
Brown	Ring				

Wiring Diagram :



EL-SR10D



EL-SR10D

