

F-86WX

REMOTE CONTROL WITH WIRELESS PUSH BUTTON



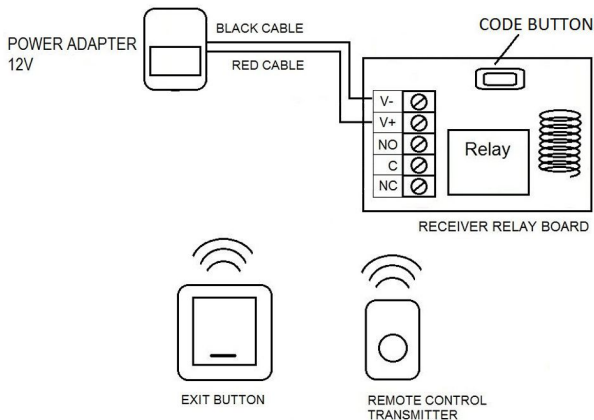
Product Features

- High quality power management chip for stable and durable working performance.
- Widely used for access control systems, panic alarm, wireless door and window contacts, signal output control, etc.
- Wireless Range: 10-30 meters.
- Wireless exit button with one receiver and remote.
- Easy to install.

Technical Specification

	Model	F-86WX
REMOTE CONTROL	Working Voltage	12VDC
	Frequency	433 MHz
	Working Temperature	-40°C~ +55°C
	DC Encoding Type	Learning Code
	Wireless Range	10-30M
	Working Mode	Jog, Self-Locking, Interlocking
	Output Mode	Dry Contact Output (1 Channel)
WIRELESS PUSH BUTTON	Material	ABS Case
	Frequency	433 MHz
	Wireless Range	10-30M
	Battery	12V27A x 1PCS (Battery included)
	Dimension	86x86x15 (mm)

Wiring Diagram



Dimension

