

F-C10WDT

SURFACE MOUNTED DOOR CONTACT



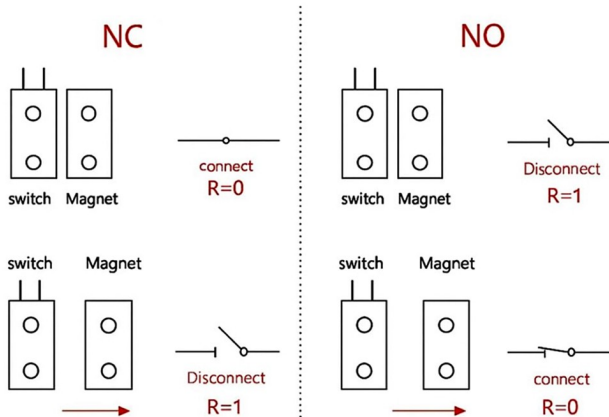
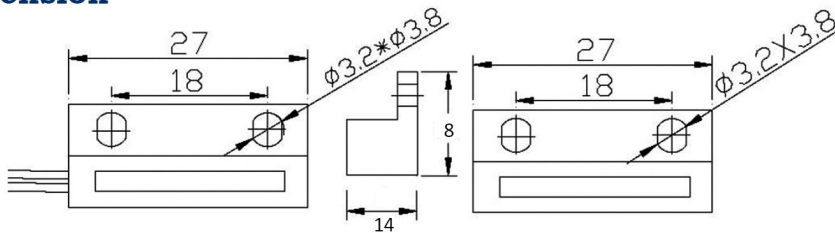
Product Features

- High quality door contact with high grade magnet and designed in miniature size which ease for installation.
- Suitable for most security system.
- Magnetic Contact sensors can be added to an existing wired Alarm Systems. They are ideal for protecting doors, Surface-mounted magnetic contact, ideal wooden door or window use.
- Reed Form: SPDT

Technical Specifications

Model	F-C10WDT
Max Contact Rating	100VDC
Max Current	0.5A
Max Power	10W
Standard Color	White
Work Gap	15~25mm
Switch Type	NO, NC
Material	ABS
Dimension	27x14x8mm

Dimension



Installation

Surface Mount

