

F-C4D

ELECTRIC RIM LOCK WITH BUILT-IN CARD READER

Product Features

- Operating from inside and outside with RFID card and manual key.
- Support integration with access control, intercom and remote control systems.
- High quality product built with premium metallic alloy for more security.
- Durable stepper motor with low noise, low power consumption and long life.
- Suitable for residential buildings, offices, schools, hotels, factories, warehouses, etc.

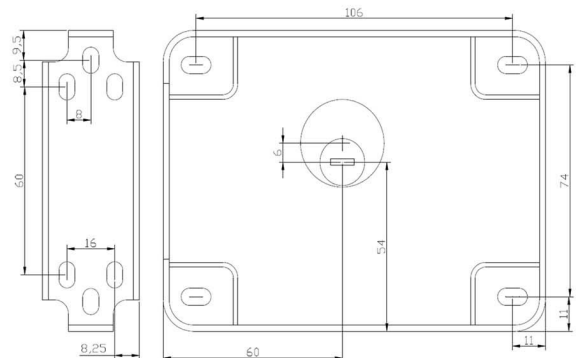
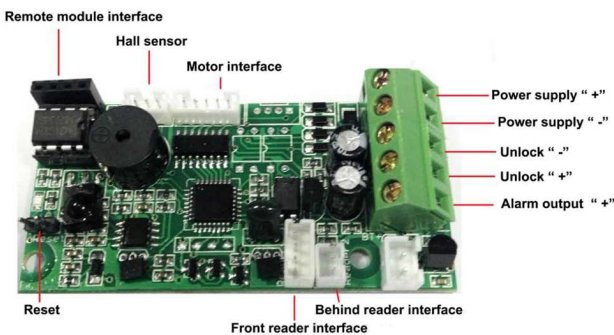


Technical Specifications

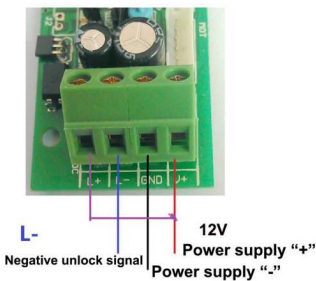
Model	F-C4D
Working Voltage	DC 12V
Current	0.5A
Card Frequency	RFID (125Khz)
Unlock Power	2W
Operating Temperature	-40°C~+80°C
Humidity	70%
Noise	<30DB

Wiring Details

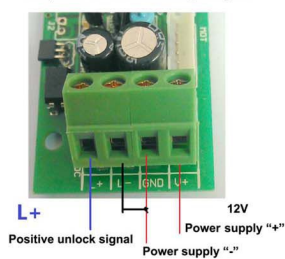
Dimension



The negative unlock signal wiring diagram



The positive unlock wiring diagram



Exit switch unlock wiring diagram

