

F-SL500W

WEATHERPROOF ELECTRO-MAGNETIC SHEAR LOCK



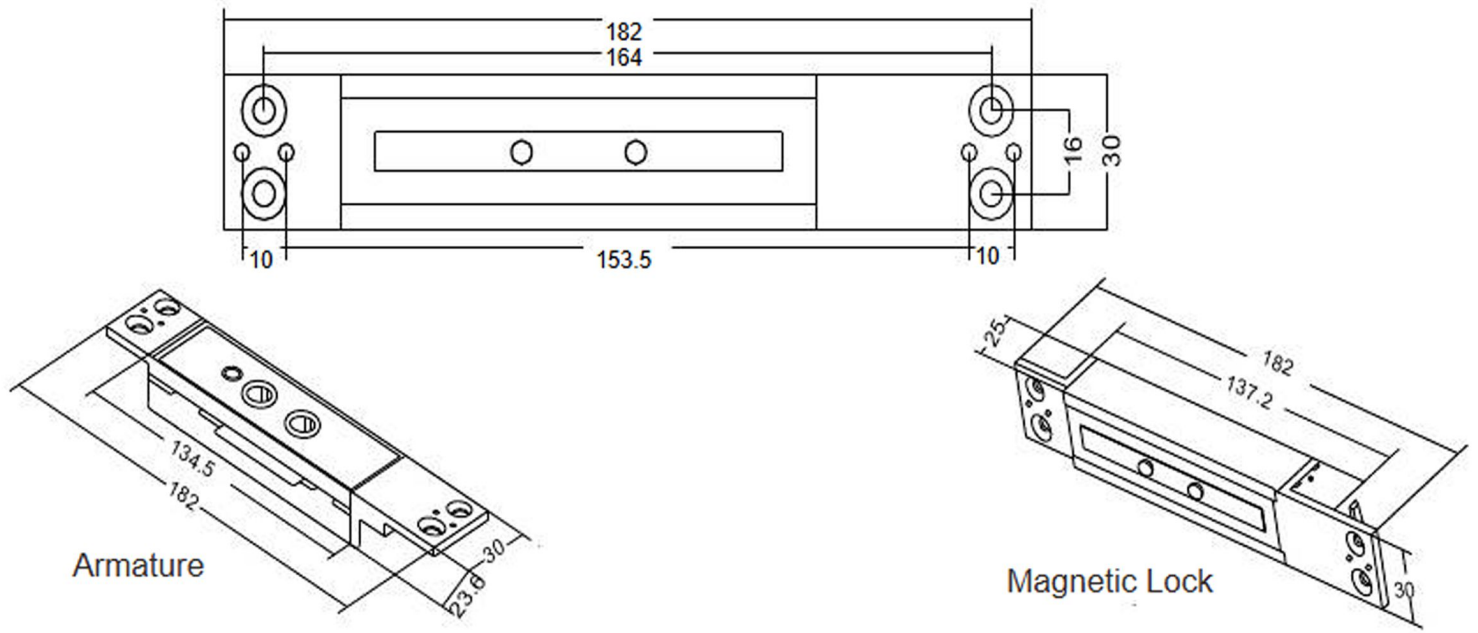
Product Features

- Ideal for Swing-In & Swing-Out Doors
- Low Current Consumption
- Reliable Holding Force
- Hall Effect Sensor Monitoring Output
- Durable & Silence Operation
- Cosmeticize Anodized Aluminum Bracket
- Surge & Spike Protection PCB
- Full Range of Optional Brackets
- Anti-Residual Magnetism Kick Off Button
- IP66 Ingress Protection Rating

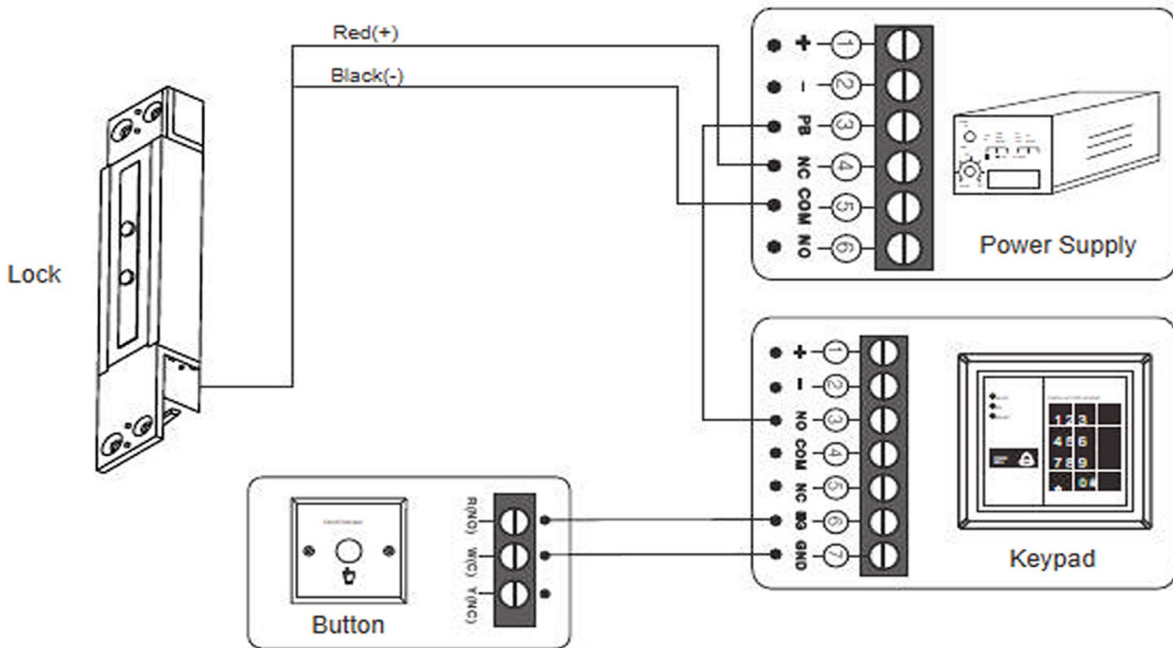
Technical Specifications

Model	F-SL500W
Power Supply	DC 12V ±15%
Operation Current	900mA
Standby Current	12VDC mA ±5% 220mA
Application	All types of 90 ° ~180 ° door (aluminium or wooden doors)
Maximum Shear Force	2600Ibs (1200kg)
Magnetic Distance(Max.)	3mm @12V
Operation Delay Time	0.5~25 Sec.(adjustable)
Lock Status Sensor	NC. & N.O. Output (1A@30VDC)
Relock Function	Maximum 60 times
Demagnetizer Design	Instant demagnetizer when power is off.
Indicator	Double-colored LED light
Ingress Protection Rating	IP66
Dimensions body	182mm(L) x 30mm(W) x 25mm(D)
Dimensions armature	182mm(L) x 30mm(W) x 23.6mm(D)
Weight	900g

Dimension:



Connection Details:



Model	9 PIN Connection				
Red	DC 12V	Black	GND		
Purple	Purple wire of the light	Orange	Orange wire of the light		
Green	Door Positions Sensor NO	※	Dangling		
Brown	Lock Positions Sensor NC	Blue	Lock Status Sensor NO		
Gary	Lock Positions Sensor COM	White	Door Status Sensor COM		
Delay Time		0S	5S	10S	15S