

# F-U70TDS

## ELECTRIC MORTISE LOCK



### Product Features

- F-U70TDS series electromechanical mortise lock ideal for a wide range of applications and available with various monitoring functions.

The lock can be operated by push buttons,

- intercom systems and key switches or integrated with electronic access control systems for use with higher security devices such as keypads or card readers.

Designed with flexibility in mind, the one lock

- can cover all functions and is easily configured on site for the required application.

LBM (Latch Bolt Monitor) : SPDT switch that

- monitor the full extension of the main latch.

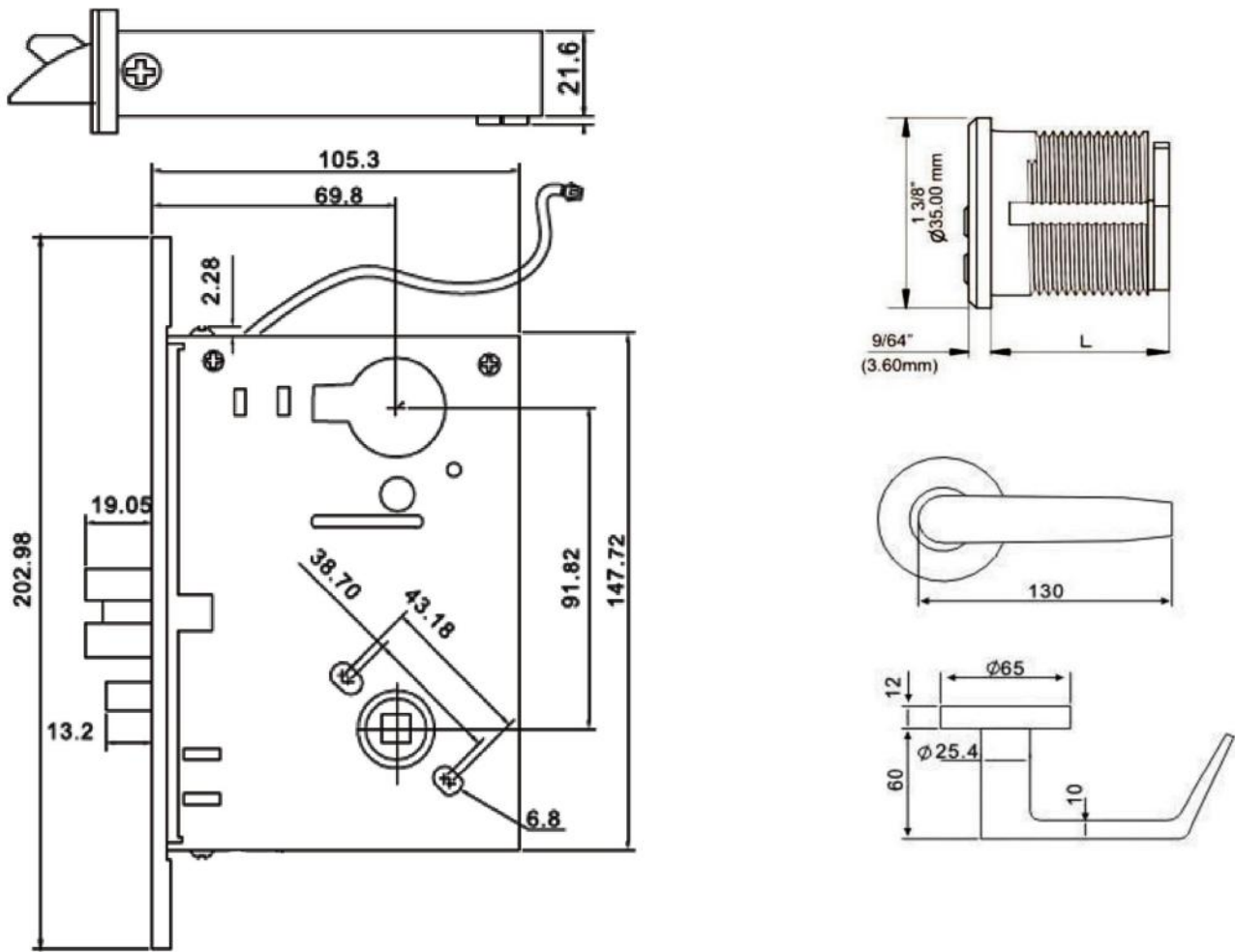
REX (Request to Exit Monitor) : SPDT switch

- that monitors the activation of the free lever. Used for shunting alarms, releasing electromagnetic locks or monitoring egress

### Technical Specification

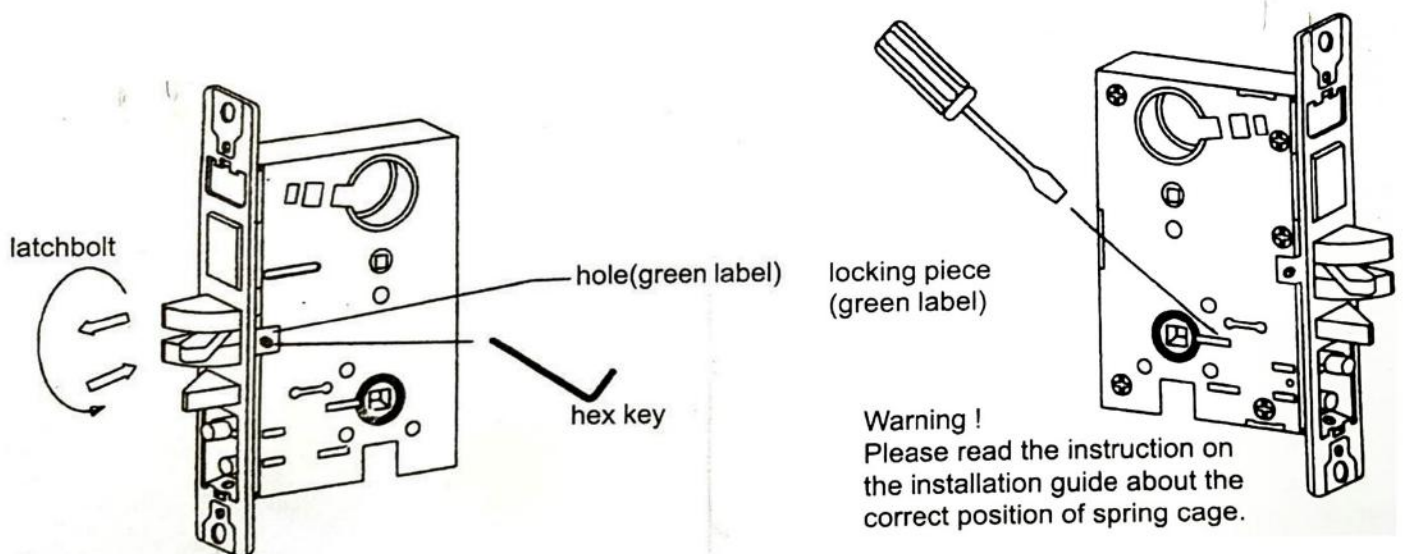
| Model                     | F-U70TDS                              |
|---------------------------|---------------------------------------|
| Voltage                   | 12/24VDC                              |
| Current                   | 600mA                                 |
| Monitoring                | Key override                          |
|                           | Latch bolt                            |
|                           | Auxiliary latch                       |
|                           | Dead bolt                             |
|                           | Handle, Request to exit               |
| Lock Type                 | Fail Safe                             |
| Operational Temperature   | -20°C to +60°C                        |
| Backset                   | 70mm                                  |
| Distance                  | 72mm                                  |
| Latch bolt                | Stainless Steel 304, projection 20mm  |
| Door thickness            | Standard = 45mm, Optional = 35mm/64mm |
| Door Clearance            | 3-6.5mm                               |
| Cylinder                  | Standard European profile cylinders   |
| Furniture                 | Compatible with door furniture        |
| Standard Finishes         | SS, PVD PS                            |
| Ingress Protection Rating | IP40                                  |

## Product Dimension

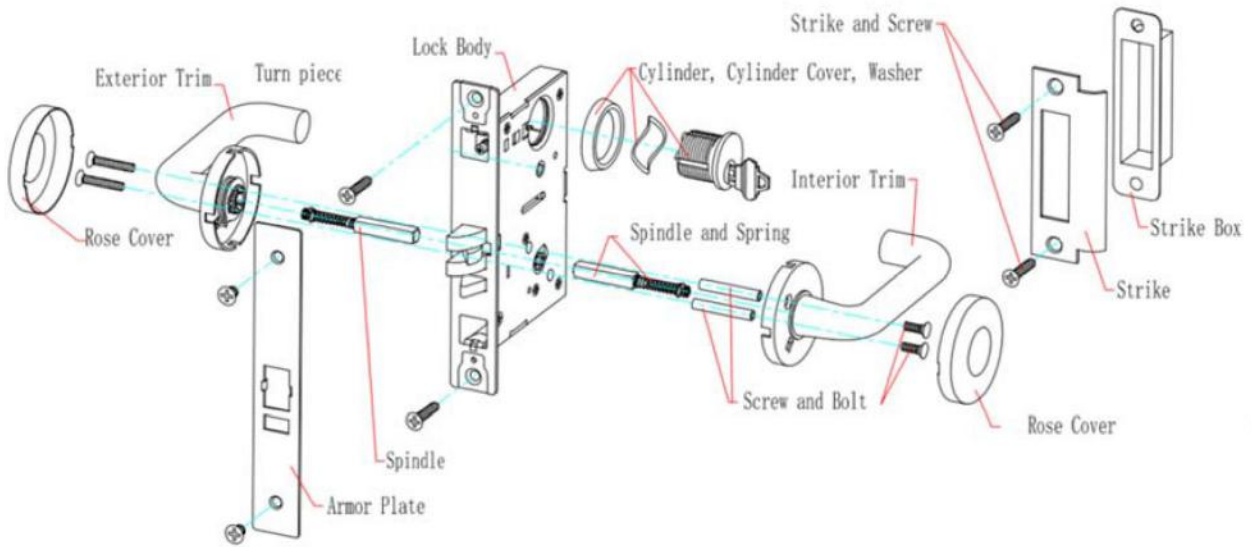


## How to change the handing

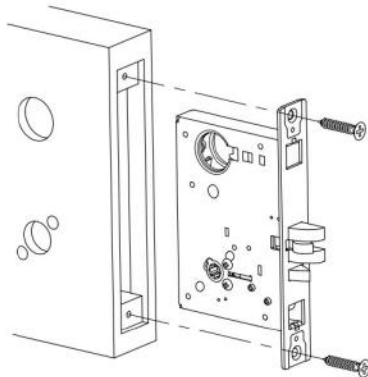
1. Use hex key to unfasten the screw in the hole behind latchbolt (green label).
2. Pull latchbolt out until it is entirely away from lock case.
3. Rotate latchbolt to adjust handing.
4. Fasten the screw tightly into the hole and glue with Threadlocker (Loctite 242).
5. Use blade screwdriver to flip locking piece (green label) forward twice to Front side.
6. Handing is completely reversed.



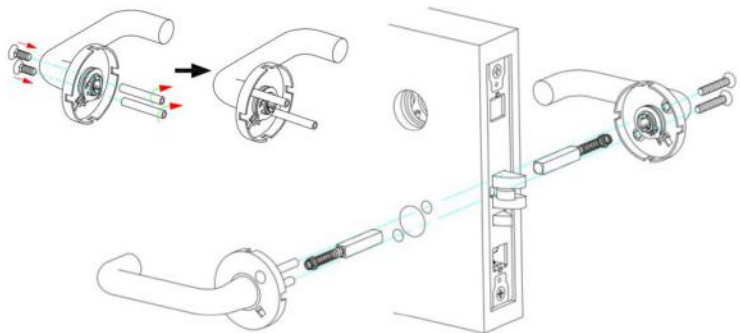
## Lock Structure



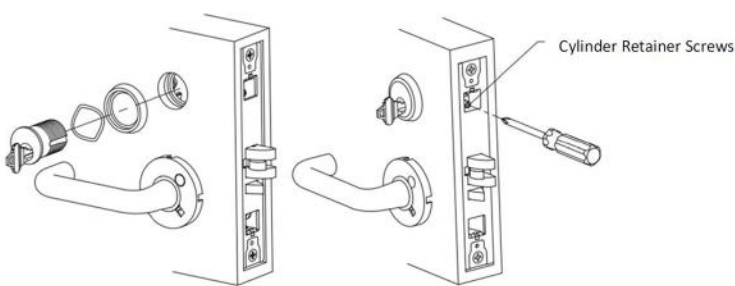
## Installation



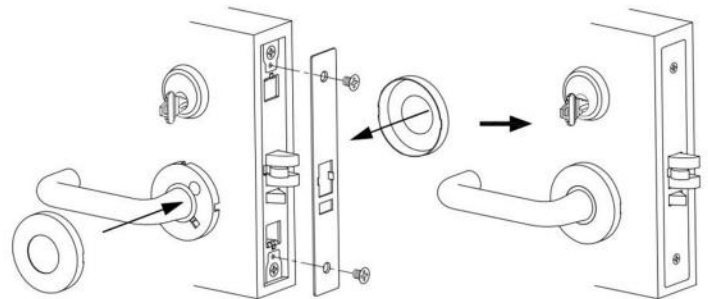
Chassis Installation



Trim Installation



Cylinder Installation



Armor Plate Installation

## Handle Orientation

