

# F-U7260TDS

## EURO ELECTRIC MORTISE LOCK



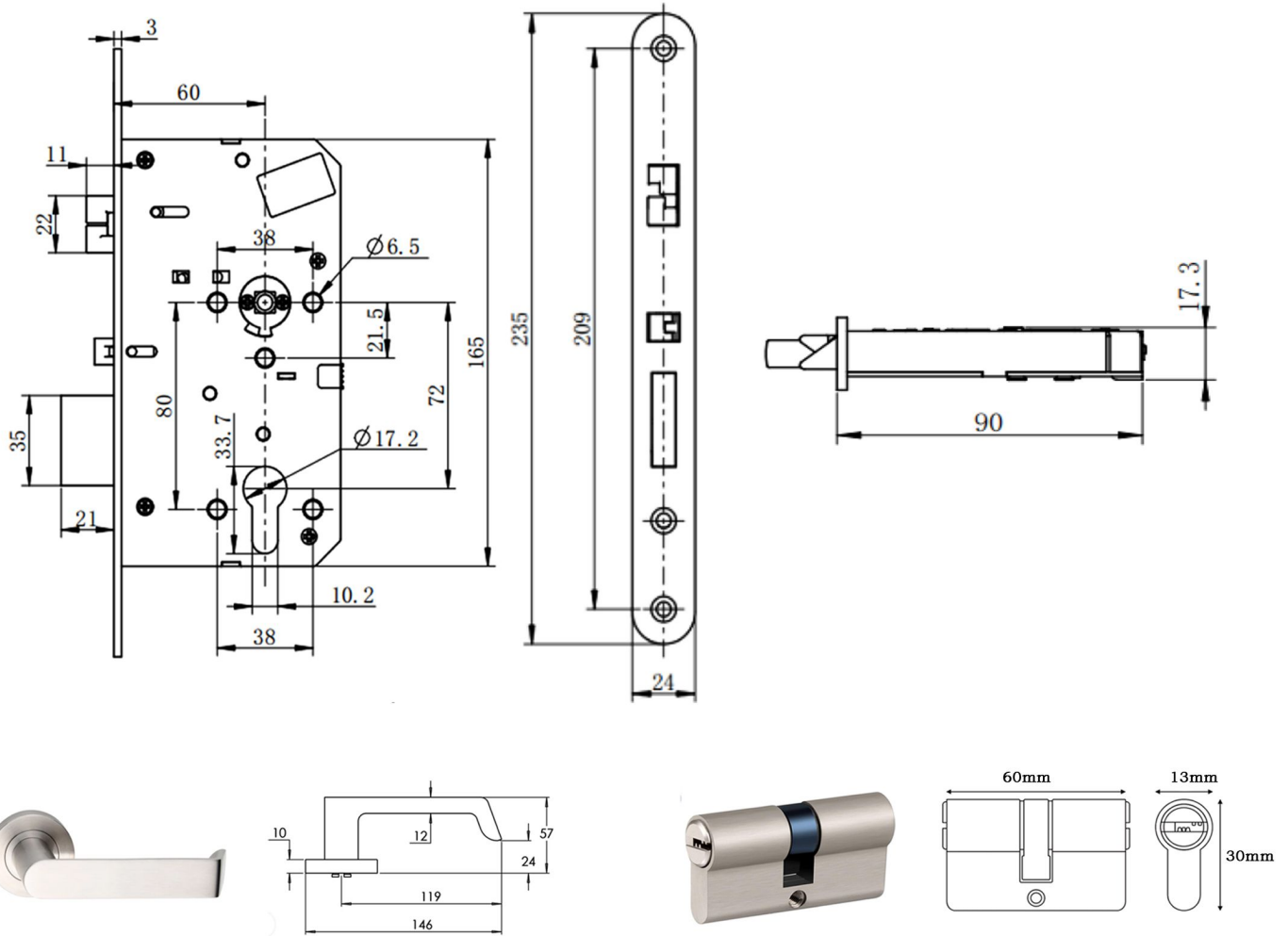
### Product Features

- F-U7260TDS electromechanical mortise lock ideal for a wide range of applications and available with various monitoring functions.
- The lock can be operated by push buttons, intercom systems and key switches or integrated with electronic access control systems for use with higher security devices such as keypads or card readers.
- Designed with flexibility in mind, the one lock can cover all functions and is easily configured on site for the required application.

### Technical Specification

Model	F-U7260TDS
Voltage	12VDC
Current	600mA
Monitoring	Key override
	Latch bolt
	Auxiliary latch
	Dead bolt
	Handle, Request to exit
Lock Type	Fail Safe / Fail Secure (adjustable)
Operational Temperature	-20°C to +60°C
Backset	60mm
Distance	72mm
Latch bolt	Stainless Steel 304, projection 20mm
Door thickness	35mm to 64mm
Door Clearance	3-6.5mm
Cylinder	Standard European profile cylinders
Furniture	Compatible with door furniture
Standard Finishes	Satin finish

## Product Dimension



Solid lever handle with  
Rose: 54x10mm

Euro Profile Cylinder

## Wiring Diagram

