

METAL ACCESS CONTROL KEYPAD READER



Product Features

- RFID proximity reader and controller, easy to install, easy to use, stable performance.
- Independent access control, can be directly implemented user passwords and cards.
- Metal keypad with backlight.
- Supports user capacity up to 1000.
- Indication: LED and electronic buzzer.
- Wiegand 26 in (can connect one extra reader).
- Built-in high-current output drive the electric lock.
- External doorbell option on the panel.

Technical Specifications

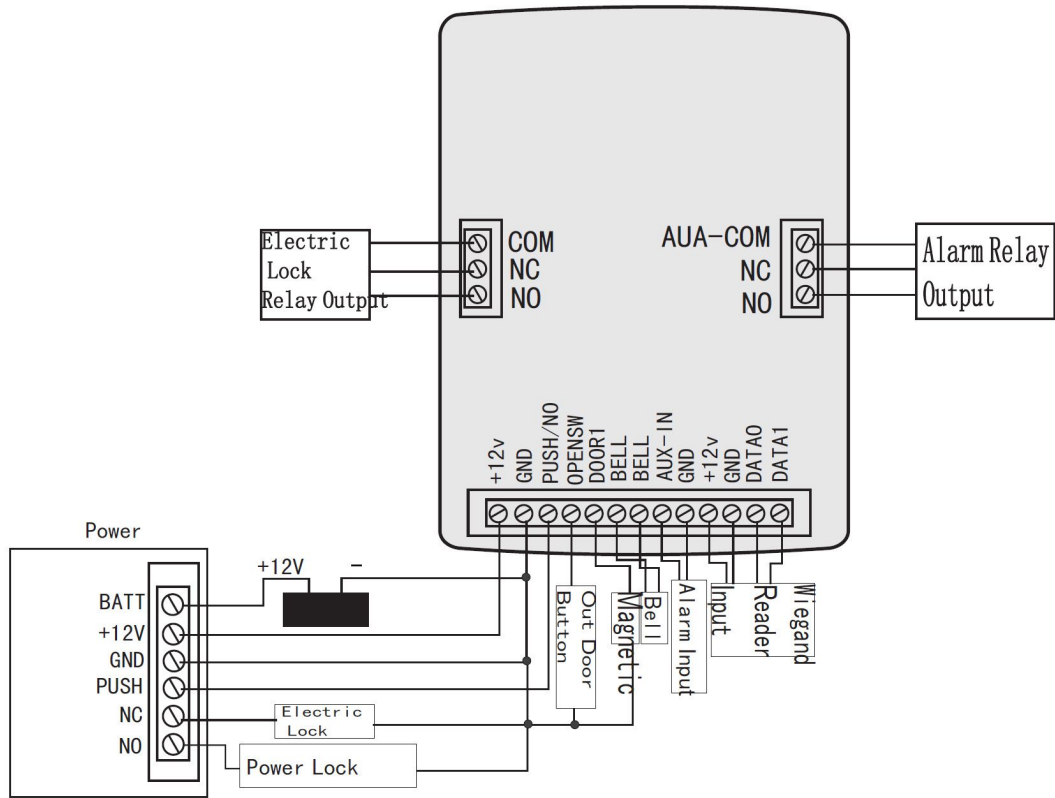
Model	FC-101
Material	Metal shell, Metal keyboard with backlight
User Capacity	1000
Card Type	EM(ID) card 125KHz
Open Mode	Card / Card+Password / Password
Voltage	12VDC+12%/1.2A
Environmental Temperature	Working: 0°C~45°C, Storage: -10°C~55°C
Relative Humidity	Working: 40%~90%RH, Storage: 20%~90%RH
Card Reading Distance	50~150mm
Backlight	Yes
Dimensions	120×76×27(mm)
Weight	550g

□

LED Status Indicator



Connection Details



Force to restorte factory programmed Password:
after release short J2 legs

Wiring Diagram

