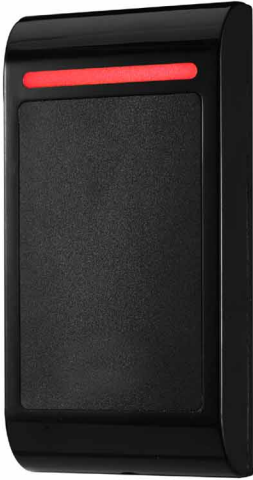


FT-3W

ACCESS CONTROL PROXIMITY ID EM CARD READER



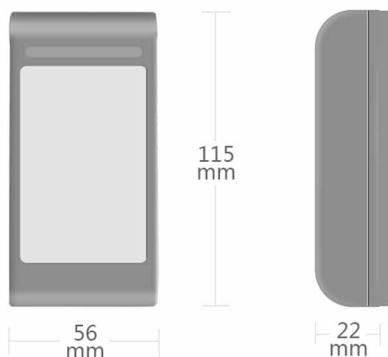
Product Features

- Anti-pass back function.
- 10,000 user capacity.
- Operating way: Card access.
- Read 125Khz RFID EM card.
- Support admin add card, admin delete card and setting card.
- Relay outout: NO/NC/COM.

Technical Specifications

Model	FT-3W
User Capacity	10,000
Card Type	EM(ID) card 125KHz
Open Mode	Card
IP Rating	IP68
Operating Voltage	DC12V
Operating Current	≤100mA
Standby Current	≤35mA
Maximum Rated Current	≤1A
Door Opening Time	0-99s (Adjustable)
Operating Temperature	-45°C~60°C
Operating Humidity	0%~95%
Dimensions	115×56×22(mm)

Dimensions



Connection Diagram

