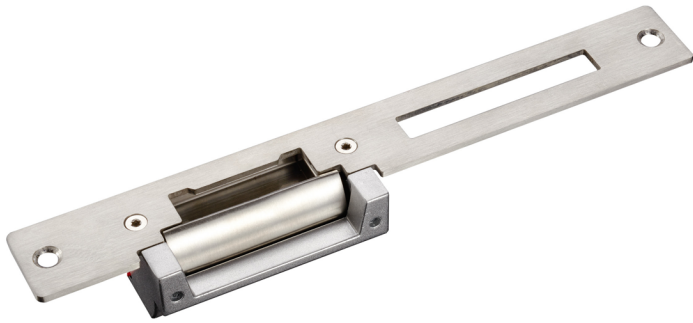


F-8L

WEATHERPROOF ELECTRIC STRIKE LOCK



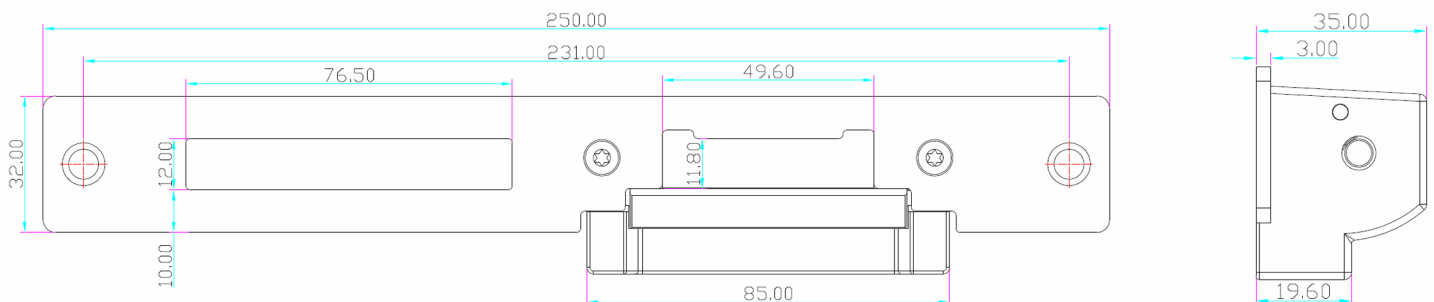
Product Features

- Outdoor electric strike lock with IP65 rating.
- Fail safe, fail secure adjustable.
- **Holding force:** 500kgs.
- Testing to 100000 cycles.
- Suitable for narrow wooden door, narrow metal door.
- Easy installation, long lifespan.

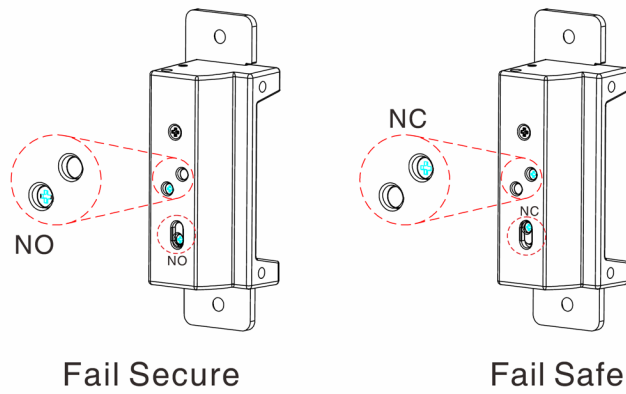
Technical Specifications

Model	F-8L
Face Plate Housing	Painted steel
Strike Structure	304 Stainless steel
Lock Body	Alloy painted with stainless steel
Feature	Fail safe/Fail secure
Holding Force	500kgs
Voltage	DC12V
Current	320mA
Function	Built-out MOV
IP Rating	IP65
Operating Temperature	-10°C ~+60°C
Operating Humidity	0-95% (non-condensing)
Dimension	250L x 43.7W x 35H(mm)
Weight	420g

Dimension



Function Conversion



The operation mode can be manually set for fail safe or fail secure by loosening the screw and tightening it in the other hole.

Fail Safe (NC): When power is off, Door is in open status.

Fail Secure (NO): When power is off, Door is in closed status.

Installation Details

