

F-8S

**WEATHERPROOF ELECTRIC STRIKE LOCK**



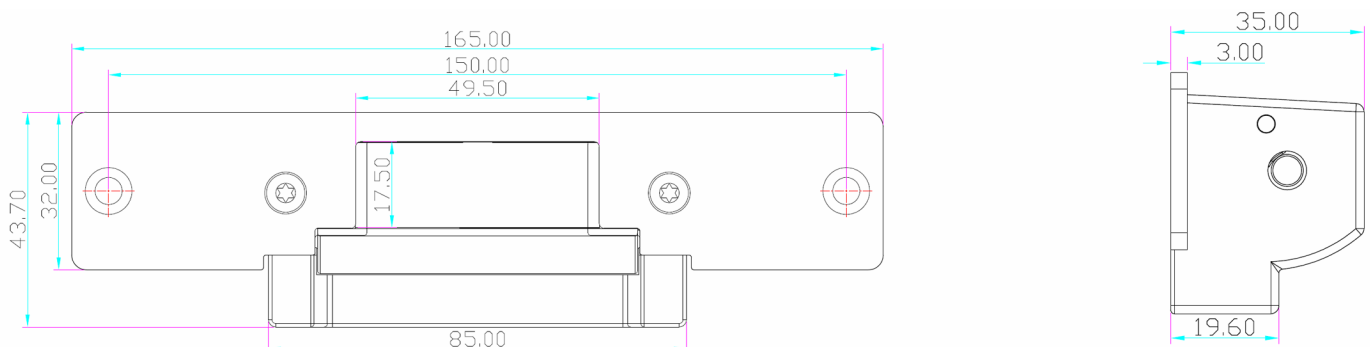
**Product Features**

- Outdoor electric strike lock with IP65 rating.
- Fail safe, fail secure adjustable.
- **Holding force:** 500kgs.
- Testing to 100000 cycles.
- Suitable for narrow wooden door, narrow metal door.
- Easy installation, long lifespan.

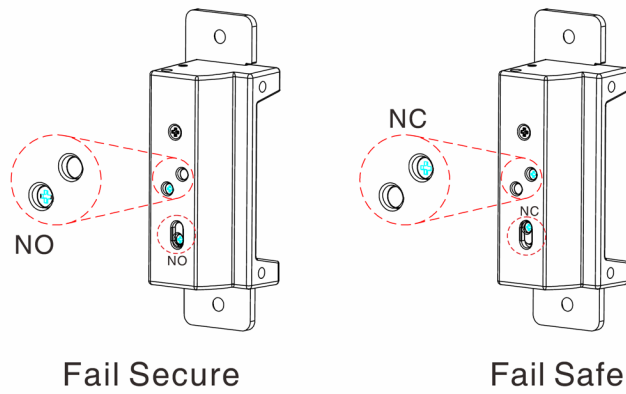
**Technical Specifications**

Model	F-8S
Face Plate Housing	Painted steel
Strike Structure	304 Stainless steel
Lock Body	Alloy painted with stainless steel
Feature	Fail safe/Fail secure
Holding Force	500kgs
Voltage	DC12V
Current	320mA
Function	Built-out MOV
IP Rating	IP65
Operating Temperature	-10°C ~+60°C
Operating Humidity	0-95% (non-condensing)
Dimension	165L x 43.7W x 35H(mm)
Weight	400g

**Dimension**



## Function Conversion



The operation mode can be manually set for fail safe or fail secure by loosening the screw and tightening it in the other hole.

**Fail Safe (NC):** When power is off, Door is in open status.

**Fail Secure (NO):** When power is off, Door is in closed status.

## Installation Details

