

F700

CONCEALED DOOR CLOSER



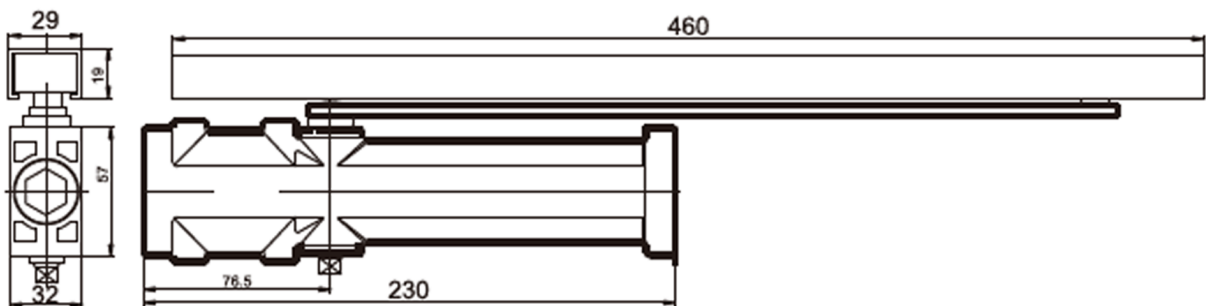
Product Features

- Suitable for aluminum, hollow metal, wood doors, etc.
- Handed for right or left swinging doors.
- Two speed ranges for door closing speed.
- Quick and easy to install.

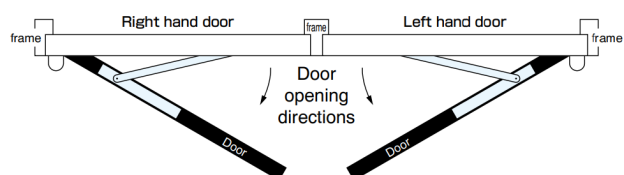
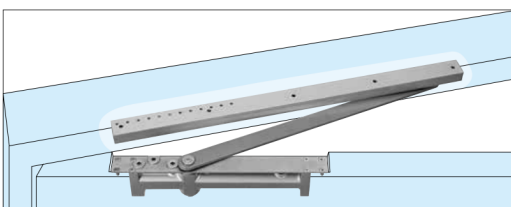
Technical Specifications

Model	F700
Function	Adjustable closing & latching speed Built-in hold-open (optional)
Material	Aluminum (Sliver finish)
Spring Power	EN 2/3
Apply Door Weight	40 - 60 kgs
Apply Door Thickness	Metal Door: 38 mm Timber Door: 42 mm
Apply Min Door Width	Up to 950 mm
Apply Max Door Open Angle	120 Degrees
Closing Angle	15 -120 Degrees
Latching Angle	0 - 15 Degrees

Dimension



Installation



Installation Drawing

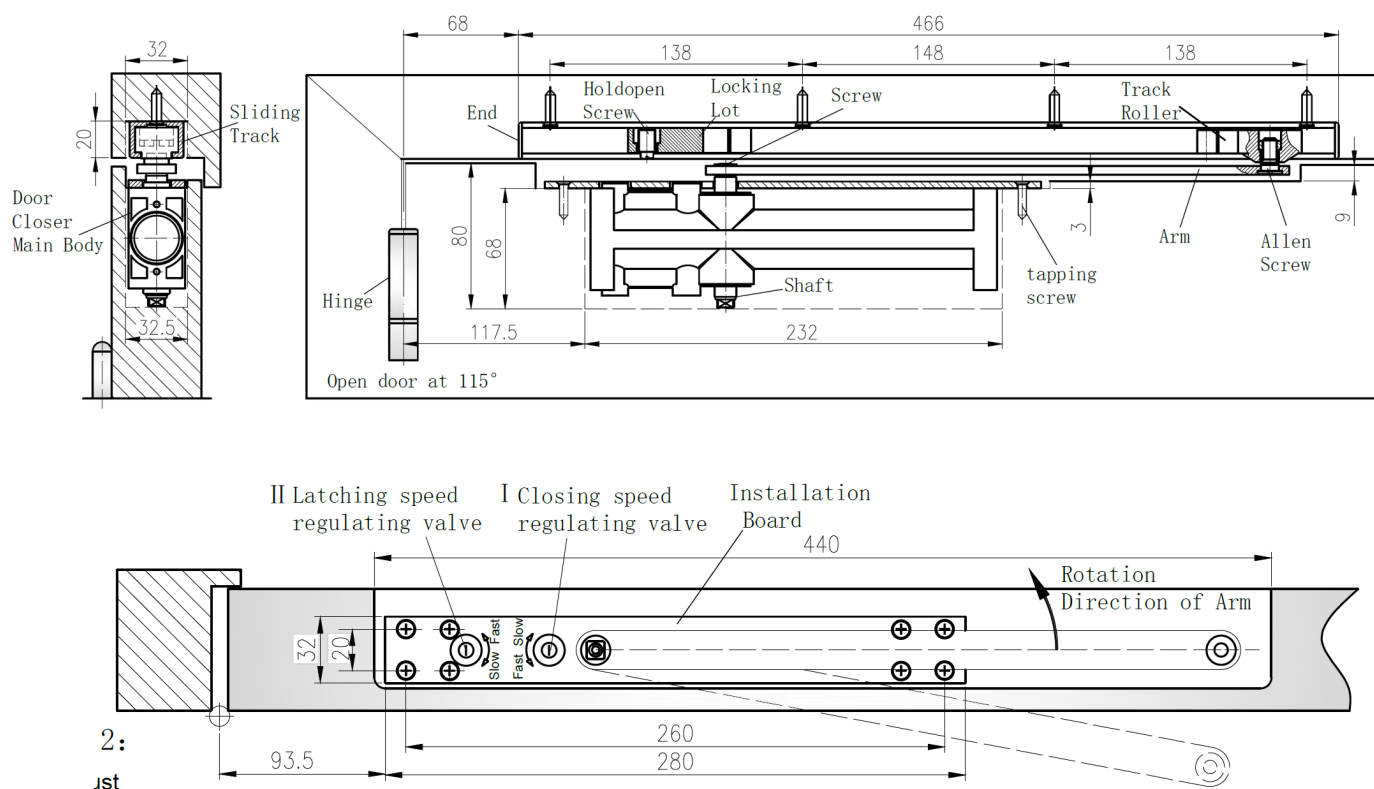


Figure 1

Installation procedures for left-hand wood doors

1. According to the installation drawing, to cut grooves in the upper door and upper door frame.
2. Put the sliding track into the corresponding groove, Fix with screws provided (Note: The Locking lot should be towards hinge).
3. Make sure the shaft rotating direction is in the right way, then attach the mounting plate to closer, then fasten with screws. Then turn the two valves (found on the opposite side of closer) all the way in clockwise.
4. Attach the arm to closer on the shaft, then fasten with arm shaft screw. The arm must be re-loaded approx. 15 degree.
5. Open the door to approx. 45 degree, rotate the arm to a certain degree, then put the closer into the groove, then secure with screws provided. Then fit the arm onto the track roller stud by an Allen Key provided.

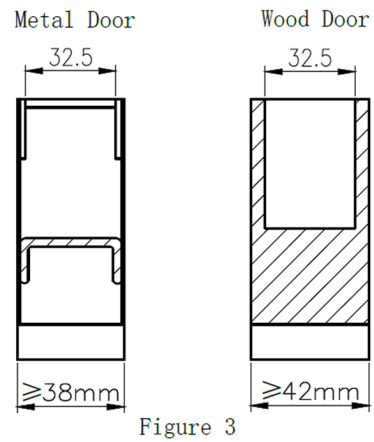
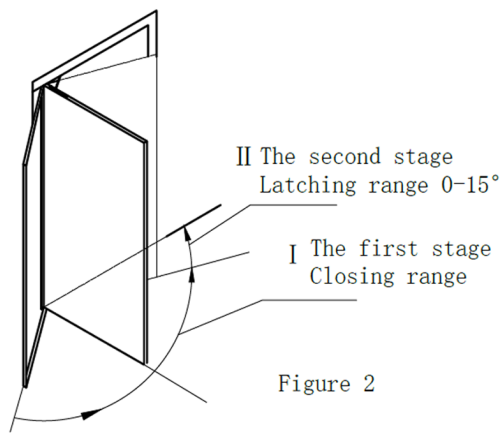
Installation procedures for right-hand wood doors

1. According to the installation drawing and dimension, to cut grooves in the upper right-hand door and upper door frame.
2. Refer to left-hand doors' installing procedures for the remaining steps.

Installation procedures for right-hand wood doors

1. Make an assisting bracket according to the dimensions of the installing drawing and fit it on the corresponding door and door frame.
2. Refer to the procedures of wood doors for the remaining steps. But the M5*10 Counter-sunk screws should be used instead.

Mounting Instruction



Adjust the closing and latching speed

1. The range of closing speed is about 120 degree to 15 degree.
2. The range of latching speed is about 15 degree to 0 degree.
3. To make the speed fastly, turn the valves counter-clockwise.
To make the speed slowly, turn the valves clockwise.



Adjust the hold-open degrees and hold-open force

1. Loosen the screw of the locking lot, Move the locking lot to the required position. Then tighten the screw.
2. The adjustment of hold-open force, Adjust the screw in the locking lot toward to spring to get the required hold-open force.