

FE-C1

Product Features

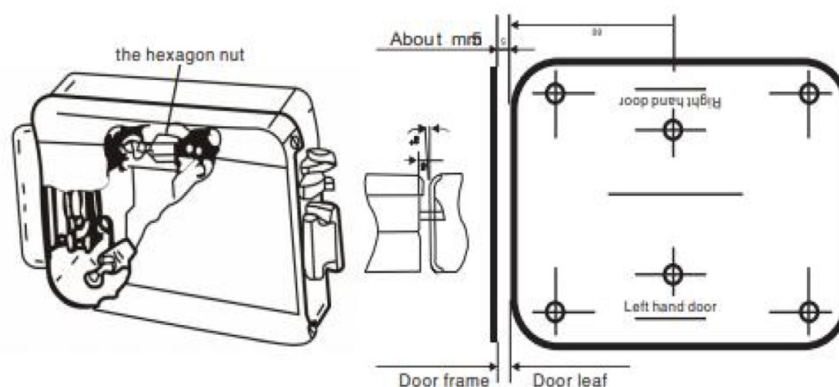
- High anti-theft, high-safety, high-security.
- Magnetic induction low noise, low consumption, long life and easy installation.
- The lock is to use electronic open, turn key and manually unlock function.
- Suitable for residential buildings, especially the common gate of highrise residential, office, school, hotel, hotel building, factory, warehouse and other departments can be used with electric control anti-theft security door.



Technical Specifications

Model	FE-C1
Material	304 stainless steel
Voltage	DC 12~18V
Working Current	1.5~3A
Consumption Power	10W
Sensitivity	1s
Lock Size	148x105x39 (mm)
Extension Length of Dead Bolt	20mm
Weight	1.5kg

Installation



- General requirements with a matching screws installed lock lock body, lock tongue, shell buckle fastening on side of the door, door frame, the tongue of the lock body and the tongue surface spacing is about 5 mm.
- Observe the weight of the door and door closers cooperation is ideal, if discover close noise is big or not locked, when available 12 wrench or pliers twisted hexagonal screw angle, elastic balance when repeatedly adjust the spring loaded to the closed door.
- When the latch hook tongue the outfit, variable outside the lock, the lock in the same installation method.
- Lock on both ends of lead wire (pictured), turn on the power supply for 12-18V power > 12W, then press the lock control switch, just press the 1 second, lock automatically open it.