

# M-P001S/M-P006S

## PUSH BAR PANIC DEVICE



M-P001S

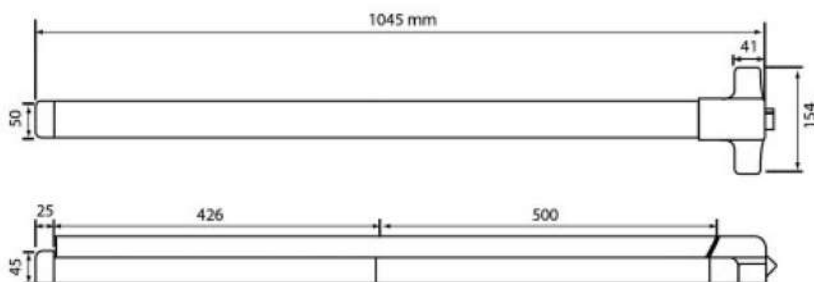


M-P006S  
(Vertical Locking Device)

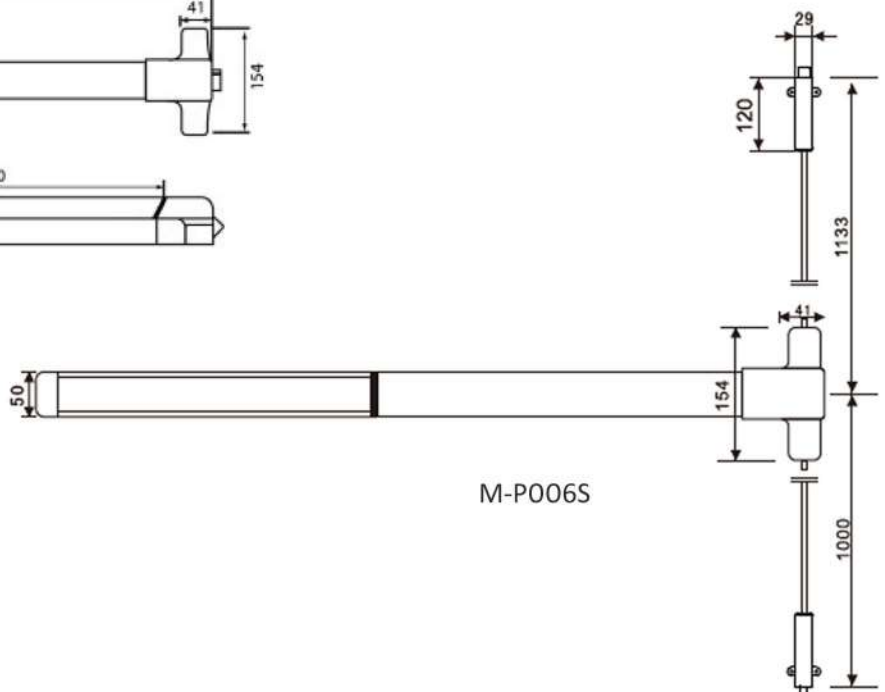
### Technical Specifications

Model	M-P001S	M-P006S
Material	Stainless steel 304 with stain finish	
Lock point	1	2
Touch bar	Half-length, 500 mm	
Total length	1045 mm	
Anti-thrust latch	19 mm	
Stile width	41 mm	
Door type	Timber and Metal door	
Door thickness	35-50 mm	
Max door weight	200 kgs	
Dogging device	Allen Key	
Door width	650-1190 mm	
Door height	N/A	2133 mm

### Dimension

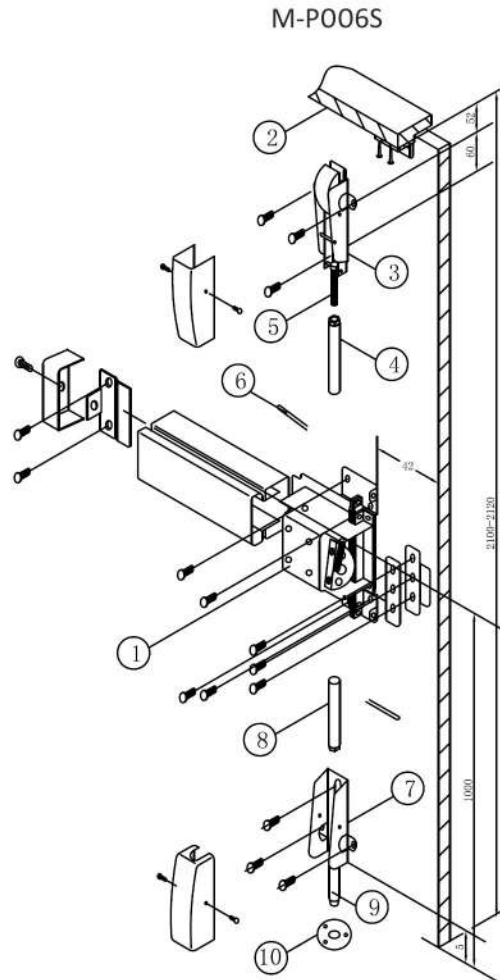
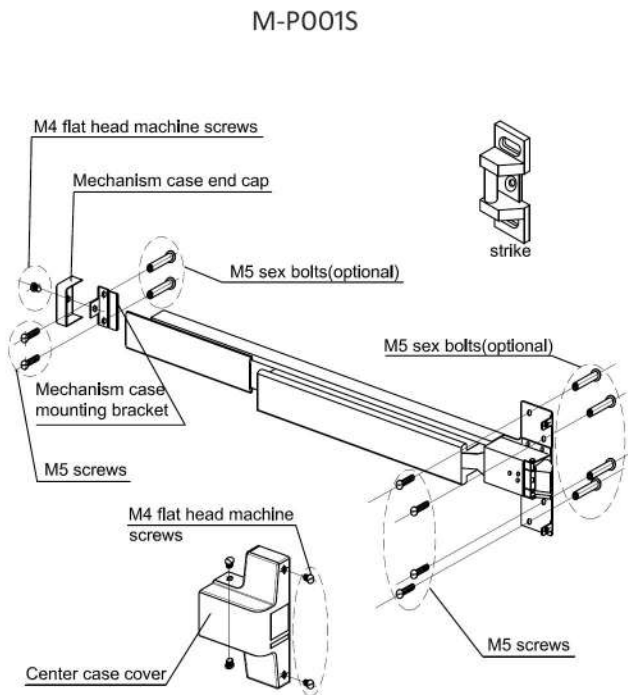


M-P001S



M-P006S

## Product Parameter



- To fix size and place of screw hole for lock body install the body on the surface of door. The distance between center of lock body & the bottom of door is 1000mm. The length of body decided by the width of door.
- After install the lock body, the head of lock to the facet of door is 42mm.  
Notice ① screw must be lie on the upper Side of the body. It must be discharged if its at the down side and then fixed at the upper side. After operating the screw must be firmed again.
- ② top strike must be plumb to the center line of lock body, and installed at the upper doorframe. The inner facet of top strike to the lever of door about 3.5mm after the door closed.
- After ④ top rod and ⑤ of top latch adjusted screw bar and connected together, the other side use ⑥ to connect the lock body, it can test the function of the function of the function of the top Latchbolt. The rod can use flex of screw bar to adjust the appropriate fundions. After confirmed the function the bend ⑥.

- ⑦ bottom latch installed at the bottom of door. ⑧ bottom rod also use the connection function of the ⑥, ⑨ can wedge into the hole of floor directly, and then adjust the appropriate function. At last bend ⑥.
- After installation the hole of bottom rod can use ⑩ floor keeper fix at floor
- Push the body can open & close the door. After open the door, the bottom rod will hook onto upper section automatically.
- The length of top rod is 920mm. The length of bottom rod is 850mm.
- The appropriate range for the height of door is 2100-2120mm.
- The length of top latch need to be ordered if the height of door is not in this range.

## Installation

Mark centerline  $\varnothing$  location as shown in Figure 1-1.

Tape template 'A' and 'B' to door and frame aligned with center line  $\varnothing$  as shown in Figure 1-2. Mark and prepare mounting holes per template.

