

M-A004S

PANIC LEVER WITH CYLINDER



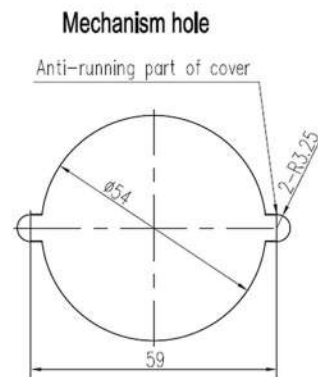
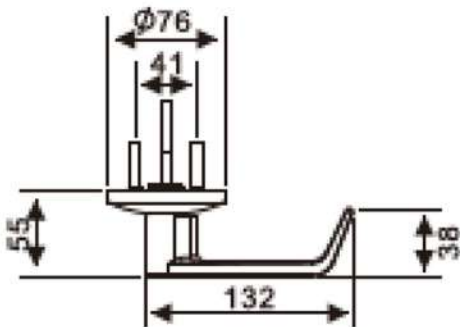
Product Features

- Stainless Steel 304 with stain finish.

Technical Specifications

Model	M-A004S
Door style	Single door
Door thickness	40-55 mm
Weight	1Kgs

Dimension



Installation

